



PRODUCT SUMMARY

DATARACK Wall Mount Rack specially designed for small Networking, Domestic application, Audio Video, Telecom and Lab applications. Rack is fabricated out of CRAC Steel Powder coated with highest quality standards.

Configuration for standard racks is welded frame (CKD) integrated with side panels and vented top cover with fan mounting provision. Rear Side of the rack provided the provision to mount the rack on the wall and front toughened glass door with lock and key provides you the visibility and security for your equipment's.

Racks are available from 4U - 15U Variants with Following Dimension:

Width - 550mm x Depth - 400mm / 500mm / 600mm

Note:

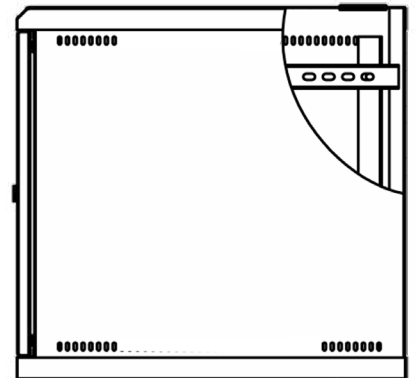
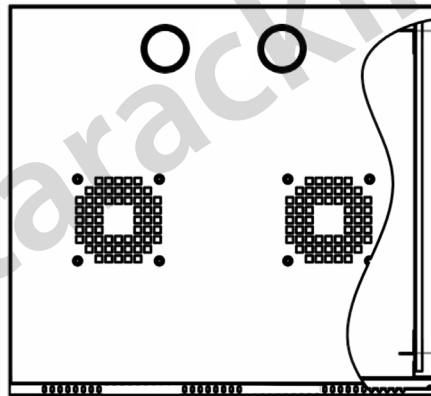
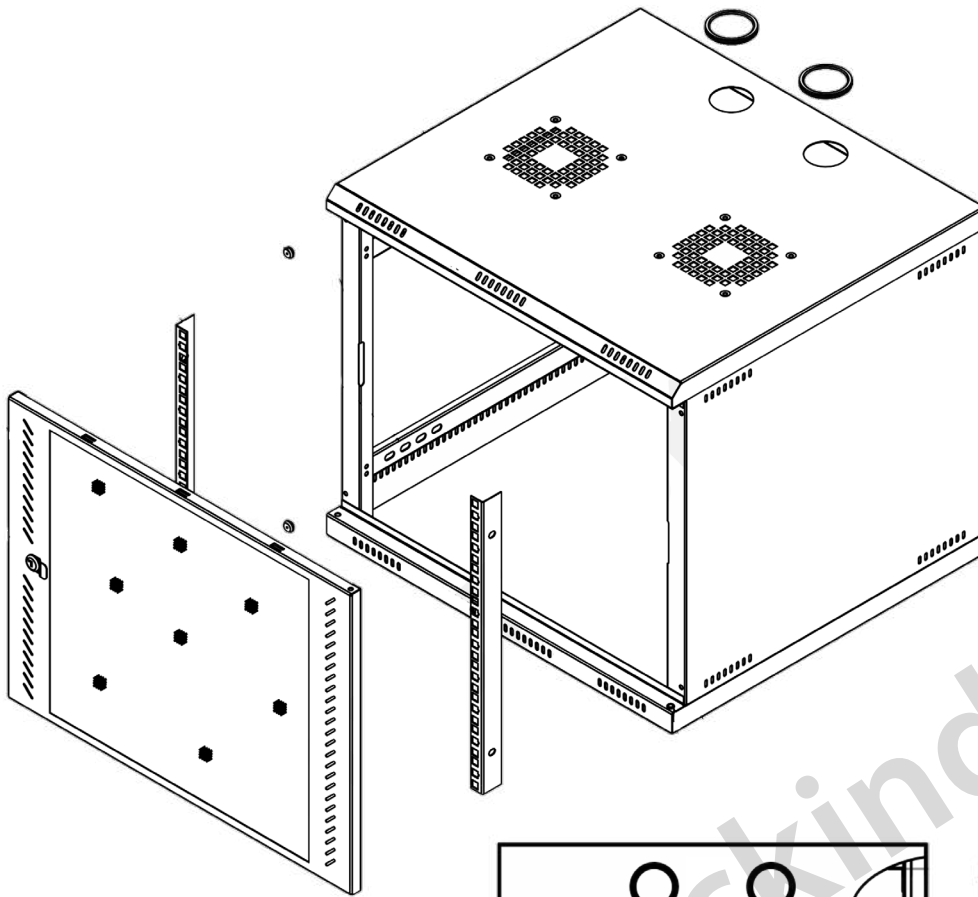
- We can make customized requirements and other models on request
- 1U = 44.45mm

PRODUCT FEATURES

- Conforms to DIN 41494 OR equivalent ISO Standards
- Adjustable 19" equipment mounting verticals provide better mounting flexibility and maximizes the usable mounting space
- Depth adjustable mounting slots
- Precision engineering capabilities and best efficient software configuration product technology provide the best product quality and fastest delivery in the industry
- Top and bottom Panel with ventilation and cable entry provision
- Provision to mount cooling fans on the top panel 1 or 2 Fans
- Powder coated finish
- Grounding and Bonding Options. 100% assured compatibility with all equipment conforming to DIN 41494 (General industrial standard for equipment)

OPTIONAL ACCESSORIES

- Cooling Fans
- Power Distribution Units
- Cable Manager MS or PVC
- Cantilever Tray / Shelf Tray
- Mounting Hardware



TECHNICAL SPECIFICATION

Rack Standard Construction Front Door Basic Frame Equipment Mounting Mounting Angle Standard Finish Top and Bottom Cover Standard Color Load Capacity	Conform to DIN 41494 or equivalent standard Welded or CKD (Knockdown) Lockable front toughened Glass Door Mild Steel DIN Std 10mm sq slots 19" Mounting angle made of formed steel Powder coated Welded to Frame or CKD , vented and cable entry provision Grey , Off white and black (RAL 7035 Structure , RAL9005 Structure) 30 Kg
--	--

SINGLE SECTION WALL MOUNT RACK 9U PART CODE & DIMENSIONS

PART CODE	TOTAL HEIGHT IN MM (H)	USABLE HEIGHT (H)	TOTAL WIDTH IN MM (W)	USABLE WIDTH IN INCHES (W)	TOTAL DEPTH IN MM (D)	USABLE DEPTH IN MM (D)
DRT-WMSS-5540-09U	450	9U	550	19"	400	350
DRT-WMSS-5550-09U	450	9U	550	19"	500	450
DRT-WMSS-5560-09U	450	9U	550	19"	600	550